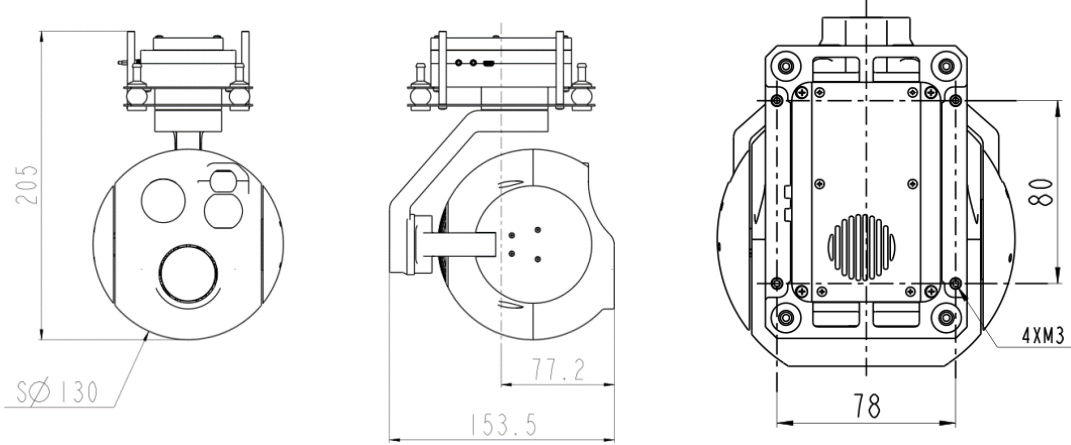




Armor Drone Standard Gimbal Version Thermal Imager	
Resolution	640×512
Focal Length	35mm
FOV	18°x 14°
Digital Zoom	×2, ×4, ×8
Image Format	.jpg
Video Format	.avi
IR Video Resolution	640×512
Day Light Camera	
Resolution	1920×1080
Video Resolution	1920×1080
Focal Length	4.3mm~129mm
FOV	63.7°~2.3°
Optic Zoom	X30
De-fog	Yes
Image Format	.jpg
Video Format	.avi
LRF	
Spectral	960nm
Measure Range	2.0km
Accuracy	≤2m
Gimbal Specification	
Pan Range	360°×n
Tilt Range	-120°~+90°
Roll Angle	-90°~+90°
IMU Control Unit	Yes
Auto Tracking	Yes
System Performance	
Starting Time	≤30s
Power Supply	DC 20V~36V or 12V
Power Consumption	Power Consumption when Stable : ≤20W
Weight	≤1.2Kg
Dimension	≤131mm×155mm×208mm
Communication	RS422/RJ45
Video Output	H.264 over TCP or UDP via RJ45 Connector (with the mating connector)
Storage	Mini SD Card/32GB
Operation Temperature	-40°C~+60°C
Storage	-45°C~+70°C

Temperature	
Waterproof	Available to operation in Light rain and Moderate rain
Mechanic Size	
 <p>Technical drawings of a drone camera showing three views: front, side, and top. Dimensions are provided for each view:</p> <ul style="list-style-type: none"> Front view: Total height is 205, diameter is $\varnothing 130$. Side view: Total width is 153.5, a specific width is 77.2. Top view: Total width is 78, a specific height is 80, and it features 4XM3 screws. 	